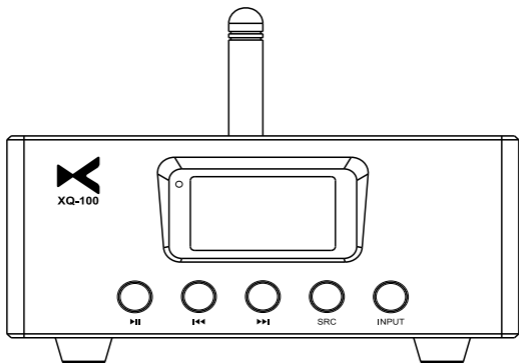




xDuoo

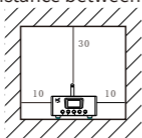
USER MANUAL



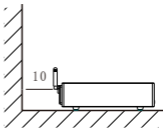
XQ-100
Bluetooth
Receiver Converter

Safety Instructions

1. The amp should not be subject to water droplets or water splashes, the machine should not be placed with such as vases a class or filled with liquid items.
2. The amp is working, the tube will be very hot, please do not touch with hands directly.
3. Do not disassemble the machine for repairing or modifying, this product does not have the parts or tools for the user to repair on their own, the maintenance of the machine requires qualified personnel to operate. Opening the shell or modifying the internal circuit will make the maintenance difficult, but also the performance or quality of the machine could be affected.
4. Please place the unit in a well-ventilated, cool and dry, clean place, away from direct sunlight, heat, vibration, dusty, damp or cold place. In order to be well ventilated, the machine should leave at least the following distance between the wall:



Top:30cm Side:10cm



Back:10cm

Safety Precautions



Caution
Risk of electric shock.
Do not open.



An equilateral triangle with an arrow lightning symbol means to warn the user there is high voltage which can lead to electric shock in the product.



An equilateral triangle with an exclamation mark means to warn the user that the equipment has important instructions for operating and maintaining.

Operation Notes

1、Turn on the power

Before turning it on, please check again whether connections are correct and specifications of adapter are correct.

2、Using mobile phone

Using mobile phone near the amp may cause noise when playback. If this happens, move mobile phone away from the amp.

3、Move the machine

Please disconnect the power adapter and cables before moving the machine.

Product introduction

XQ-100 is a desktop Bluetooth audio receiver converter. The Bluetooth receiver chip uses Qualcomm's CSR8675 chip, Bluetooth 5.0 transmission, and supports SBC, AAC, aptX HD, LDAC and other high-res audio formats. Uses CS8406 chip as the digital conversion chip, supports SRC function, up to 24Bit/192kHz, let the sound have more details; using two high-specification DAC chips ES9038Q2M, can output a cleaner, higher-quality analog signal.

As a high-spec Bluetooth digital converter, this machine can output high-quality optical and coaxial signals, and can be connected to amplifiers or sound system with digital decoding, so that your power amplifiers or sound system can be turned into wireless devices in seconds, saving the wiring troubles; at the same time, this unit with one RCA analog output and XLR balanced output, it can be connected to a amplifier or active audio without decoding function, solving all your worries, bringing convenience and ensuring the quality of the audio.

Product Features

- ◆ With OLED screen, display the information of music.
- ◆ Bluetooth chip uses Qualcomm's CSR8675, supports SBC, AAC, APTX_HD, LDAC and other formats.
- ◆ Uses CS8406 chip as the digital conversion chip, output high-quality optical and coaxial signals.
- ◆ Supports SRC function, up to 24Bit/192kHz, let the sound have more details.
- ◆ The DAC chip uses two ESS' ES9038Q2M, with low noise and higher resolution.
- ◆ With high-quality digital/analog output, it can be connected to your amplifier/audio system.
- ◆ Use customized EI-type transformer as the power supply system, with more stable performance and lower noise.
- ◆ Use audio-specific Japanese Nichicon capacitor as the main filter capacitor, the sound is soft and transparent.
- ◆ The shell is made of high-strength aluminum alloy material CNC integrated processing;
- ◆ The external high-gain Bluetooth antenna can transmit longer distances and the signal is more stable.

Quick start

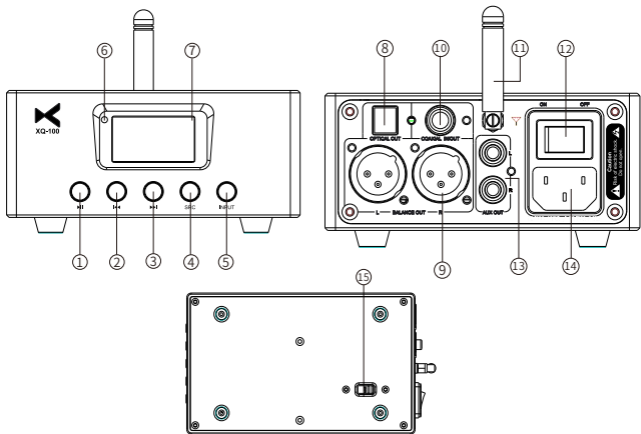
1. Turn on the unit and automatically enter the pairing state, then you can find the machine (name XQ-100) and connect, and then play music.
2. If you cannot find the unit, please double-click the play/pause button to force it to enter the pairing state, and then find the unit through the mobile phone Bluetooth.

3. When playback, you can press the play/pause, previous and next keys to control songs.
4. This machine has soft power on/off function. Long press play/pause button for 3 seconds to off. At this time, the screen is off, the standby indicator will be on which is in the upper left corner, and the Bluetooth will disconnect; then long press the play/pause button again It can wake up, and Bluetooth will automatically connect back to your Bluetooth device.
5. The coaxial has dual functions of input/output. When Bluetooth is input, this interface is output. Short press "INPUT" key to switch to coaxial input.
6. This machine has SRC function, short press the SRC button to up-frequency, the highest Bluetooth sampling rate can be up to 24Bit /192kHz.

About Bluetooth pairing and connection

1. The device is in the pairing state when the device is not connected to Bluetooth when it is turned on for the first time;
2. If you can't find this machine, or you need to forcibly disconnect the Bluetooth and reconnect, you can double-click the play/pause button to enter the pairing state;
3. The machine can be connected to two Bluetooth transmitter at the same time;
4. After the machine is turned on, it will give priority to connect to the last connected device;
5. When the device is connected to Bluetooth playback, if the Bluetooth transmitter (such as a mobile phone, etc.) leaves the connection distance of the device, it will automatically reconnect when it comes back within 15 minutes; if not, it will be required Search for the connection again.

Parts and Controls



1. Play/Pause button: Short press to play/pause the song, double click to force pairing, long press for 3 seconds to enter standby/wake up.
2. Previous button: Short press to play previous song
3. Next button: Short press to play next song.
4. SRC key: short press to multiply the Bluetooth sampling rate.
5. Input button: optional Bluetooth or coaxial input.
6. Standby indicator light: when entering standby mode, the indicator light is always on.
7. OLED display: display music information.
8. Optical output port.

9. Balanced analog output.
10. Coaxial input/output port.
11. Bluetooth antenna.
12. Power switch.
13. AUX OUT port.
14. AC power input port.
15. Voltage selection switch, select T1 (100-120V) or T2 (220-240V).

Parameters

1. Bluetooth version: 5.0
2. Supported Audio Format: SBC, AAC, aptX, aptX_LL, aptX_HD, LDAC
3. Communication Range : about 10 meters.
4. THD+N: Optical Output:0.0087%
 Coaxial Output:0.00087%
 AUX OUT:0.07%
 Balanced:0.005%
5. Output Level: Optical Output:0.5p-p
 Coaxial Output:0.5p-p
 AUX OUT:2V
 Balanced:4V

Accessories

AC Cable	1pc
Bluetooth antenna	1pc
User's Manual.....	1pc
Warranty Card	1pc

Warranty Information

Our products can enjoy 12-month free warranty services from the date of the sale, if the warranty period is expired, our company will charge parts cost depend on the product fault conditions. Accessories are not covered under warranty.

xDuo Technology Co.,LTD

Address:Romm F1510,MingYueHuaDu Building,GongHe Industrial Road,XiXiang Town,Bao' an District,ShenZhen,China

Phone:+86-0755-297799189

Post code:518000

Email:service@xduoo.com